

Material body
Material seal

Nickel-plated brass
NBR



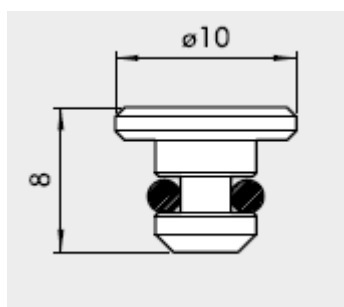
520.14-V

Plug for multiple manifold base type 520

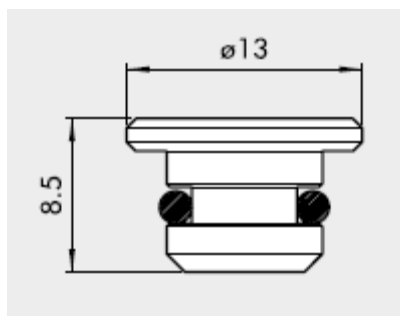
Art. No.	Type No.	Description	for valve port
119139	520.18-V	Plug for multiple manifold base type 520	G 1/8
119136	520.14-V	Plug for multiple manifold base type 520	G 1/4

Dimensions in mm

G 1/8



G 1/4



→ Only in conjunction with the use of 3/2-way pilot valves.

Material body
Material seal

Nickel-plated brass
NBR



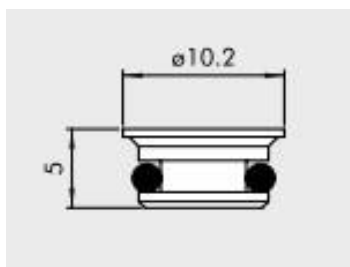
520.14-Z

Intermediate plug for multiple manifold base type 520

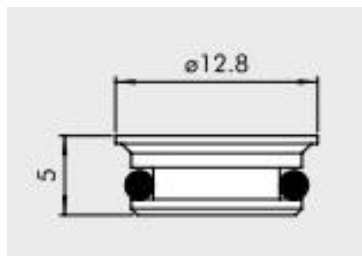
Art. No.	Type No.	Description	for valve port
129152	520.18-Z	Intermediate plug for multiple manifold base type 520	G 1/8
129153	520.14-Z	Intermediate plug for multiple manifold base type 520	G 1/4

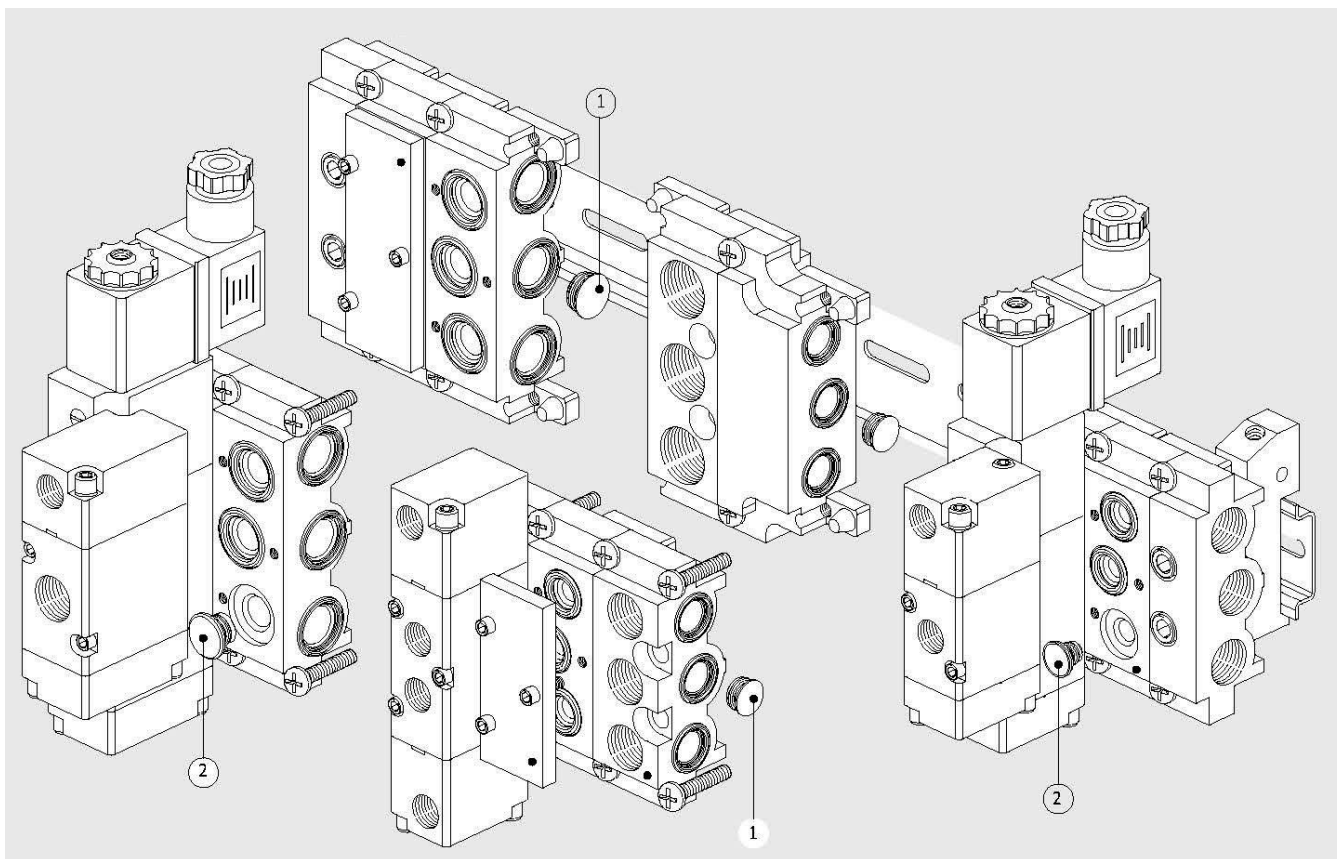
Dimensions in mm

G 1/8



G 1/4



Sectional drawing with numbers and descriptions

Sectional drawing

No.	Art. No.	Type No.	for valve port	Description
①	129152	520.18-Z	G 1/8	Intermediate plug
①	129153	520.14-Z	G 1/4	Intermediate plug
②	119139	520.18-V	G 1/8	Plug (3/2-way pilot valve)
②	119136	520.14-V	G 1/4	Plug (3/2-way pilot valve)